

# REMOTE TOXIC, COMBUSTIBLE, AND OXYGEN GAS SENSORS

## XGARD

### FEATURES

- Extremely wide range of sensors
- Easy installation and maintenance
- Low cost of ownership
- Replacement of sensors are simple
- Rugged and reliable
- Several Xgard Types For All Applications

Xgard Type 1: Intrinsically safe Toxic and Oxygen gas detector

Xgard Type 2: Flameproof Toxic and Oxygen gas detector

Xgard Type 3: Flameproof Flammable gas detector

Xgard Type 4: Flameproof high temperature Flammable gas detector

Xgard Type 5: Flameproof Flammable gas detector with 4-20mA output

Xgard Type 6: Flameproof Thermal Conductivity type gas detector

Xgard Type 7: Flameproof Sulphistor Hydrogen Sulfide gas detector

Xsafe: Safe area Flammable gas detector



The Xgard range of gas detectors have been specifically designed to meet your requirements. The dangers presented by toxic and flammable gases as well as oxygen deficiency vary with each application.

Xgard offers four different sensor concepts so you can choose exactly what you need for your site. Xgard is available in flameproof, intrinsically safe or safe area formats for use in all environments no matter what the classification.

Xgard can accommodate M20, M25, 1/2" NPT or 3/4" NPT cable glands for all site requirements and was designed for either wall or ceiling mounting without the need for additional brackets. Accessories are available for duct mounting, sampling applications, and remote gassing for simple sensor checking.

Xgard is constructed from highly durable marine-grade aluminum with tough polyester coating designed to operate even in the harshest conditions. Spray deflectors and weatherproof caps are available for use in areas subject to regular wash-downs, or offshore environments.



**CEA Instruments, Inc.**

*"EXPERTS IN TOXIC GAS DETECTION"*

# XGARD RANGES AVAILABLE

GAS TYPE	LTEL(ppm) LEL(% vol)	STEL(ppm) UEL(% vol)	Type 1	Type 2	Type 3, 4, 5 & Xsafe	Type 6	Type 7
Acetylene (C <sub>2</sub> H <sub>2</sub> )	2.5	100			0-100% LEL*		
Ammonia (NH <sub>3</sub> )	25 15	35 28	10, 25, 50, 100, 250, 500, 1000 ppm	10, 25, 50, 100, 250, 500, 1000 ppm	0-25% LEL*		
Argon (Ar)	-	-				0-25% vol (in air)	
Arsine (AsH <sub>3</sub> )	0.05	-	1 ppm				
Bromine (Br <sub>2</sub> )	0.1	0.3	3, 5 ppm				
Butane (C <sub>4</sub> H <sub>10</sub> )	1.8	9			0-100% LEL*	0-25% vol (in air)	
Carbon Dioxide (CO <sub>2</sub> )	5000 (0.5% vol)	15000 (1.5% vol)				0-100% vol (in air)	
Carbon Monoxide (CO)	30	200	50, 100, 150, 200, 250, 300, 500, 1000 ppm	50, 100, 150, 200, 250, 300, 500, 1000 ppm			
Chlorine (Cl <sub>2</sub> )	0.5	1	3, 5, 10, 15, 20, 30, 50, 100 ppm				
Chlorine Dioxide (ClO <sub>2</sub> )	0.1	0.3	1 ppm				
Diborane (B <sub>2</sub> H <sub>6</sub> )	0.1	-	1 ppm				
Ethane (C <sub>2</sub> H <sub>6</sub> )	3.1	5.5			0-100% LEL*		
Ethylene (C <sub>2</sub> H <sub>4</sub> )	2.7	36			0-100% LEL*		
Fluorine (F <sub>2</sub> )	1	1	3 ppm				
Germane (GeH <sub>4</sub> )	0.2	0.6	2 ppm				
Helium (He)	-	-				0-5%, 10%, 20%, 50%, 100% vol (in air)	
Hydrogen (H <sub>2</sub> )	4	80	200, 500, 2000 ppm 2%, 4% vol	200, 500, 2000 ppm 2%, 4% vol	0-100% LEL*	0-5%, 10%, 50% vol (in air) 0-20%, 25%, 30% vol (H <sub>2</sub> in N <sub>2</sub> )	
Hydrogen Cyanide (HCN)	-	10 (MEL)	25, 30 ppm				
Hydrogen Fluoride (HF)	1.8	3	10 ppm				
Hydrogen Sulfide (H <sub>2</sub> S)	5	10	2, 5, 10, 20, 25, 30, 50, 100, 200, 250, 300, 1000 ppm	2, 5, 10, 20, 25, 30 50, 100, 200 ppm			100 ppm
LPG	2	10			0-100% LEL*		
Methane (CH <sub>4</sub> )	5	15			0-100% LEL	0-10%, 25%, 100% vol (in air) 0-100% vol (CH <sub>4</sub> in CO <sub>2</sub> )	
Nitrogen Dioxide (NO <sub>2</sub> )	1	1	5, 10, 30, 50, 100 ppm				
Ozone (O <sub>3</sub> )	-	0.1	1 ppm				
Oxygen (O <sub>2</sub> )	-	-	25% vol	25% vol			
Pentane (C <sub>5</sub> H <sub>12</sub> )	1.5	7.8			0-100% LEL		
Petrol	1.3	6			0-100% LEL*		
Phosgene (COCl <sub>2</sub> )	0.02	0.06	1 ppm				
Phosphine (PH <sub>3</sub> )	-	0.3	1, 2 ppm				
Propane (C <sub>3</sub> H <sub>8</sub> )	2.2	10			0-100% LEL*	0-25% vol (in air)	
Silane (SiH <sub>4</sub> )	0.5	1	1 ppm				
Sulfur Dioxide (SO <sub>2</sub> )	1	1	5, 10, 15, 20, 50, 100, 250 ppm				
Vinyl Chloride (VCM) (CH <sub>2</sub> =CHCl)	3.6	33			0-100% LEL*		

Notes: Other sensors and ranges may be available

\* Ranges not available for Xsafe



## CEA Instruments, Inc.

160 Tillman Street, Westwood, N.J. 07675 U.S.A.  
 Telephone (201) 967-5660 Fax (201) 967-8450  
 E-Mail: ceainstr@aol.com Website: www.ceainstr.com

# XGARD SPECIFICATIONS

Xgard	Type 1	Type 2	Type 3	Type 4	Type 5	Type 6	Type 7	Xsafe
Junction Box Material	A356 marine grade alloy with polyester coating	A356 marine grade alloy with polyester coating	A356 marine grade alloy with polyester coating	A356 marine grade alloy with polyester coating	A356 marine grade alloy with polyester coating	A356 marine grade alloy with polyester coating	A356 marine grade alloy with polyester coating	A356 marine grade alloy with polyester coating
Dimensions	156 x 166 x 111 mm (6.1 x 6.5 x 4.3 in)	156 x 166 x 111 mm (6.1 x 6.5 x 4.3 in)	156 x 166 x 111 mm (6.1 x 6.5 x 4.3 in)	195 x 166 x 111 mm (7.6 x 6.5 x 4.3 in)	156 x 166 x 111 mm (6.1 x 6.5 x 4.3 in)	156 x 166 x 111 mm (6.1 x 6.5 x 4.3 in)	156 x 166 x 111 mm (6.1 x 6.5 x 4.3 in)	156 x 166 x 111 mm (6.1 x 6.5 x 4.3 in)
Weight	1 Kg (2.2 lbs)	1 Kg (2.2 lbs)	1 Kg (2.2 lbs)	1.5 Kg (3.3 lbs)	1 Kg (2.2 lbs)	1 Kg (2.2 lbs)	1 Kg (2.2 lbs)	1 Kg (2.2 lbs)
Ingress Protection	IP65, IP66 with weatherproof cap	IP65, IP66 with weatherproof cap	IP65, IP66 with weatherproof cap	IP54	IP65, IP66 with weatherproof cap	IP65, IP66 with weatherproof cap	IP65, IP66 with weatherproof cap	IP65, IP66 with weatherproof cap
Cable Entries	1 x M20, M25, 1/2" or 3/4" NPT on right-side	1 x M20, M25, 1/2" or 3/4" NPT on right-side	1 x M20, M25, 1/2" or 3/4" NPT on right-side	1 x M20, M25, 1/2" or 3/4" NPT on right-side	1 x M20, M25, 1/2" or 3/4" NPT on right-side	1 x M20, M25, 1/2" or 3/4" NPT on right-side	1 x M20, M25, 1/2" or 3/4" NPT on right-side	1 x M20, M25, 1/2" or 3/4" NPT on right-side
Terminations	0.5 to 2.5 mm <sup>2</sup> (20 to 13 awg)	0.5 to 2.5 mm <sup>2</sup> (20 to 13 awg)	0.5 to 2.5 mm <sup>2</sup> (20 to 13 awg)	0.5 to 2.5 mm <sup>2</sup> (20 to 13 awg)	0.5 to 2.5 mm <sup>2</sup> (20 to 13 awg)	0.5 to 2.5 mm <sup>2</sup> (20 to 13 awg)	0.5 to 2.5 mm <sup>2</sup> (20 to 13 awg)	0.5 to 2.5 mm <sup>2</sup> (20 to 13 awg)
Sensor Type	Electrochemical	Electrochemical	Catalytic Bead	316 s/s Sensor Housing with Catalytic Beads	Catalytic Bead	Thermal Conductivity	Sulphistor	Catalytic Bead
Operating Temperature	-20 to 50°C (-4 to 122°F) (typical) (to 55°C intermittent)	-20 to 50°C (-4 to 122°F) (typical) (to 55°C intermittent)	-40 to 80°C (-40 to 176°F)	-20 to 150°C (-4 to 302°F)	-40 to 55°C (-40 to 131°F)	+ 10 to 55°C (50 to 131°F)	-20 to 65°C (-4 to 149°F) (mV version) -20 to 55°C (-4 to 131°F) (mA version)	-40 to 80°C (-40 to 176°F) (mV version) -40 to 55°C (-40 to 131°F) (mA version)
Humidity	0-90% RH non-condensing	0-90% RH non-condensing	0-99% RH non-condensing	0-99% RH non-condensing	0-99% RH non-condensing	0-90% RH non-condensing	0-99% RH non-condensing	0-99% RH non-condensing
Repeatability	<2% FSD (Typ)	<2% FSD (Typ)	<2% FSD (Typ)	<2% FSD (Typ)	<2% FSD (Typ)	<2% FSD (Typ)	<2% FSD (Typ)	<2% FSD (Typ)
Zero drift	<2% FSD/month	<2% FSD/month	<2% FSD/month	<2% FSD/month	<2% FSD/month	<2% FSD/month	<2% FSD/month	<2% FSD/month
Response Time	T90 <10s Oxygen T90 <30s Toxic	T90 <10s Oxygen T90 <30s Toxic	T90 <15s (Typ)	T90 <15s (Typ)	T90 <15s (Typ)	T90 <15s (Typ)	T90 <15s (Typ)	T90 <15s (Typ)
Operating Voltage	8 – 30 VDC	8 – 30 VDC	2.0 VDC +/-0.1V (Typ)	2.0 VDC +/-0.1V (Typ)	10 – 30 VDC	10 – 30 VDC	10 – 30 VDC (mA version) 6.5 VDC (mV version)	10 – 30 VDC (mA version) 2.0 VDC (mV version)
Power Requirements	24 mA max.	24 mA max.	300 mA (Typ)	300 mA (Typ)	50 mA @ 24V DC 1.2 W	50 mA @ 24V DC 1.2 W	150 mA @ 24V DC 3.6 W	mA version: 50 mA @ 24V DC 1.2 W mV version: 300 mA (Typ)
Electrical Output	2-wire 4-20 mA (current sink)	2-wire 4-20 mA (current sink)	3-wire mV bridge Typical signal 12-15mV %LEL CH4	3-wire mV bridge Typical signal >10mV %LEL CH4	3-wire 4-20 mA (current sink or source)	3-wire 4-20 mA (current sink or source)	mA version: 3-wire 4-20 mA (current sink or source) mV version: 3-wire mV bridge 200mV@ 10ppm 400mV@100ppm Log. scale	mA version: 3-wire 4-20 mA (current sink or source) mV version: 3-wire mV bridge Typical signal 12-15mV %LEL CH4
Approvals	ATEX: II 1 G EExia IIC T4 (Tamb -40 to 50°C) UL Class 1 Div 1 Groups A,B,C,D* CSA: Pending	ATEX: II 2 G EExd IIC T6 (Tamb -40 to 50°C) UL Class 1 Div 1 Groups B,C,D* CSA: Pending	ATEX: II 2 G EExd IIC T4 (Tamb -40 to 80°C) EExd IIC T6 (Tamb -40 to 50°C) UL Class 1 Div 1 Groups B,C,D* CSA: Pending	ATEX: II 2 G EExd IIC T3 (Tamb -20 to 150°C) UL Class 1, Div 1 Groups B,C,D* CSA: Pending	ATEX: II 2 G EExd IIC T6 (Tamb -40 to 50°C) EExd IIC T4 (Tamb -40 to 80°C) UL Class 1 Div 1 Groups B,C,D* CSA: Pending	ATEX: II 2 G EExd IIC T6 (Tamb -40 to 50°C) EExd IIC T4 (Tamb -40 to 80°C) UL Class 1 Div 1 Groups B,C,D* CSA: Pending	ATEX: II 2 G EExd IIC T4 (Tamb -40 to 80°C) EExd IIC T6 (Tamb -40 to 50°C) UL Class 1 Div 1 Groups B,C,D* CSA: Pending	Not certified for use in a hazardous environment.
EMC Compliance	EN 50270	EN 50270	EN 50270	EN 50270	EN 50270	EN 50270	EN 50270	EN 50270  *Pending

(Specifications subject to change without notice.)



## CEA Instruments, Inc.

160 Tillman Street, Westwood, N.J. 07675 U.S.A.  
 Telephone (201) 967-5660 Fax (201) 967-8450  
 E-Mail: ceainstr@aol.com Website: www.ceainstr.com

## Xgard Toxic, Oxygen or Flammable Gas Detector Range

**NOTE:** Prices shown are for a standard Xgard detector housed in a universal A356 aluminium junction box with one M20 or 1/2" NPT gland entry on the right-hand side. Xgard can also be supplied in a stainless steel junction box or with larger cable gland entries. See below for pricing.



### Xgard Junction Box Options

Add the following price to the standard detector price shown in the following sections.

316 Stainless steel junction box with bright unpainted finish	210.00
3/4" NPT entry on right-side	34.00

## Xgard Type 1 Intrinsically Safe Toxic and Oxygen Detector

Fixed toxic and oxygen gas detector using an electrochemical sensor contained within an Xgard junction box, which also contains

**A zener barrier or galvanic isolator is required for IS operation.**

Gas Type	Ranges Available	
Ammonia (NH <sub>3</sub> )	0-50, 100ppm	1054.00
Ammonia (NH <sub>3</sub> )	0-250, 500, 1000ppm <b>Lead-time 4-6 weeks</b>	1270.00
Arsine (AsH <sub>3</sub> )	0-1ppm <b>Lead-time 6 weeks</b>	1239.00
Bromine (Br <sub>2</sub> )	0-3, 5ppm	1125.00
Carbon Monoxide (CO)	0-50, 100, 150, 200, <b>250</b> , 300, 400, 500, 1000	725.00
Chlorine (CL <sub>2</sub> )	0-3, <b>5</b> , 10, 20, 50, 100ppm	884.00
Chlorine Dioxide (CLO <sub>2</sub> )	0-1ppm	1138.00
Diborane (B <sub>2</sub> H <sub>6</sub> )	0-1ppm <b>Lead-time 6 weeks</b>	1241.00
Fluorine (F <sub>2</sub> )	0-3ppm <b>Lead-time 4-6 weeks</b>	1146.00
Germane (GeH <sub>4</sub> )	0-2ppm <b>Lead-time 6 weeks</b>	1239.00
Hydrogen (H <sub>2</sub> )	0-200, <b>2000</b> ppm	1066.00
Hydrogen (H <sub>2</sub> )	0-2%, 4% volume	1125.00
Hydrogen Cyanide (HCN)	0- <b>25</b> , 30ppm	1866.00
Hydrogen Fluoride (HF)	0-10ppm	1226.00
Hydrogen Sulphide (H <sub>2</sub> S)	0-5, 10, 20, <b>25</b> , 50, 100, 200, 250, 300, 1000ppm	726.00
Nitrogen Dioxide (NO <sub>2</sub> )	0- <b>10</b> , 30, 50, 100ppm	909.00
Ozone (O <sub>3</sub> )	0-1ppm	1087.00
Oxygen (O <sub>2</sub> )	0-25% volume	678.00
Phosgene (COCL <sub>2</sub> )	0-1ppm	1239.00
Phosphine (PH <sub>3</sub> )	0-1ppm	1192.00
Silane (SiH <sub>4</sub> )	0-1ppm <b>Lead-time 6 weeks</b>	1230.00
Sulphur Dioxide (SO <sub>2</sub> ). No H <sub>2</sub> S filter, 0.1ppm resolution.	0- <b>10</b> , 20ppm	884.00
Sulphur Dioxide (SO <sub>2</sub> ). With H <sub>2</sub> S filter, 0.5ppm resolution.	0- <b>10</b> , 20, 50, 100, 250ppm	884.00

## Xgard Type 2 Flameproof Toxic and Oxygen Detector

Fixed toxic and oxygen gas detector using an electrochemical sensor contained within an Xgard junction box, which also contains

Gas Type	Ranges Available	
Carbon Monoxide (CO)	0-50, 100, <b>250</b> , 300, 500, 1000ppm	919.00
Hydrogen (H <sub>2</sub> )	0-200, <b>2000</b> ppm	1262.00
Hydrogen (H <sub>2</sub> )	0-2%, 4% volume	1316.00
Hydrogen Sulphide (H <sub>2</sub> S)	0-5, 10, 20, <b>25</b> , 50, 100, 200ppm	919.00
Oxygen (O <sub>2</sub> )	0-25% volume	875.00

## Xgard Type 3 Flameproof Flammable Gas Detector

Fixed flammable gas detector using a poison resistant pellistor contained within an Xgard junction box, with **3-wire mV**

Pellistor Type	Gas Types Available	
300P	Methane, Pentane, Propane, Butane, Hydrogen, LPG,	441.00
VQ21T	Methane, Propane, Butane, LPG	489.00
VQ8	Leaded petrol vapour	696.00
VQ25	For methane detection where halogens or chlorinated	596.00
VQ41	Ammonia (0-25% LEL), Jet Fuel	596.00

**Xgard (cont.)****Xgard Type 5 Flameproof Flammable Gas Detector With 4-20mA Output**Fixed flammable gas detector using a poison resistant pellistor contained within an Xgard junction box, with **3-wire 4-20mA output**. Operating temperature -40

Pellistor Type	Gas Types Available	
300P	Methane, Pentane, Propane, Butane, Hydrogen (0-25% or 0-100%)	562.00
VQ21T	Methane, Propane, Butane, LPG	617.00
VQ8	Leaded petrol vapour	928.00
VQ25	For methane detection where halogens or chlorinated hydrocarbons	928.00
VQ41	Ammonia (0-25% LEL), Jet Fuel	928.00

**Xgard Type 6 Flameproof Thermal Conductivity Gas Detector**

Fixed thermal conductivity gas detector contained within an Xgard junction box, with 3-wire 4-20mA output. Operating temperature +10 to +55 °C. See table at

Sensor Type	Gas Types Available	
VQ6	Hydrogen: 0-20, 25, 30 or 50% volume in Nitrogen	928.00
VQ6	Hydrogen: 0-5, 10 or 50% volume in Air	928.00
VQ6	Helium: 100% volume in Air	928.00

Note: Use TCgard for gases and ranges not listed.

**Xsafe Safe Area Flammable Gas Detector**

Fixed flammable gas detector using a poison resistant pellistor contained within an A356 aluminium junction box which has one

	Xsafe Type	Cable gland size	Gas Type	
C01960	4-20mA version	M20	Methane	396.00
C01961	4-20mA version	1/2" NPT	Methane	396.00
C01962	4-20mA version	M20	Propane (LPG)	396.00
C01963	4-20mA version	1/2" NPT	Propane (LPG)	396.00

**Xgard Spares sensors****Xgard Type 1 Spare Sensor Modules**

	Range	Gas Type		
S011665/S	0-10ppm	Ammonia	(S)	600.00
S011667/S	0-25ppm	Ammonia	(S)	600.00
S011566/S	0-50ppm	Ammonia	(S)	600.00
S011567/S	0-100ppm	Ammonia	(S)	600.00
S011673/S	0-250ppm	Ammonia - <b>Lead-time 4-6 weeks</b>	(S)	760.00
S011677/S	0-500ppm	Ammonia - <b>Lead-time 4-6 weeks</b>	(S)	760.00
S011679/S	0-1000ppm	Ammonia - <b>Lead-time 4-6 weeks</b>	(S)	760.00
S011830/S	0-1ppm	Arsine - <b>Lead-time 6 weeks</b>	(S)	690.00
S011658/S	0-3ppm	Bromine	(S)	600.00
S011557/S	0-5ppm	Bromine	(S)	600.00
S011572/S	0-50ppm	Carbon Monoxide	(CT)	432.00
S011574/S	0-100ppm	Carbon Monoxide	(CT)	432.00
S011576/S	0-150ppm	Carbon Monoxide	(CT)	432.00
S011578/S	0-200ppm	Carbon Monoxide	(CT)	432.00
S011259/S	0-250ppm	Carbon Monoxide	(CT)	432.00
S011580/S	0-300ppm	Carbon Monoxide	(CT)	432.00
S011582/S	0-500ppm	Carbon Monoxide	(CT)	432.00
S011584/S	0-1000ppm	Carbon Monoxide	(CT)	432.00
S011588/S	0-3ppm	Chlorine	(CT)	512.00
S011263/S	0-5ppm	Chlorine	(CT)	512.00
S011590/S	0-10ppm	Chlorine	(CT)	512.00
S011592/S	0-15ppm	Chlorine	(CT)	512.00
S011594/S	0-20ppm	Chlorine	(CT)	512.00
S011596/S	0-30ppm	Chlorine	(CT)	512.00
S011598/S	0-50ppm	Chlorine	(CT)	512.00
S011600/S	0-100ppm	Chlorine	(CT)	512.00
S011690/S	0-1ppm	Chlorine Dioxide	(CT)	556.00
S011831/S	0-1ppm	Diborane <b>Lead-time 6 weeks</b>	(S)	770.00
S011565/S	0-3ppm	Fluorine <b>Lead-time 4-6 weeks</b>	(S)	621.00

Fixed Price list 2007 REV 1V2

S011832/S	0-2ppm	Germane <b>Lead-time 6 weeks</b>	(S)	770.00
S011704/S	0-200ppm	Hydrogen	(CT)	556.00
S011706/S	0-500ppm	Hydrogen	(CT)	556.00
S011562/S	0-2000ppm	Hydrogen	(CT)	556.00
S011710/S	0-2% (50%LEL)	Hydrogen	(S)	646.00
S011834/S	0-4% (100%LEL)	Hydrogen	(S)	646.00
S011829/S	0-25ppm	Hydrogen Cyanide	(S)	556.00
S011602/S	0-30ppm	Hydrogen Cyanide	(S)	556.00
S011564/S	0-10ppm	Hydrogen Fluoride	(S)	808.00
S011604/S	0-2ppm	Hydrogen Sulphide	(CT)	432.00
S011606/S	0-5ppm	Hydrogen Sulphide	(CT)	432.00
S011608/S	0-10ppm	Hydrogen Sulphide	(CT)	432.00
S011610/S	0-20ppm	Hydrogen Sulphide	(CT)	432.00
S011257/S	0-25ppm	Hydrogen Sulphide	(CT)	432.00
S011612/S	0-30ppm	Hydrogen Sulphide	(CT)	432.00
S011614/S	0-50ppm	Hydrogen Sulphide	(CT)	432.00
S011616/S	0-100ppm	Hydrogen Sulphide	(CT)	432.00
S011618/S	0-200ppm	Hydrogen Sulphide	(CT)	432.00
S011620/S	0-250ppm	Hydrogen Sulphide	(CT)	432.00
S011622/S	0-300ppm	Hydrogen Sulphide	(CT)	432.00
S011624/S	0-1000ppm	Hydrogen Sulphide	(CT)	432.00
S011634/S	0-5ppm	Nitrogen Dioxide	(CT)	512.00
S011561/S	0-10ppm	Nitrogen Dioxide	(CT)	512.00
S011626/S	0-30ppm	Nitrogen Dioxide	(CT)	512.00
S011628/S	0-50ppm	Nitrogen Dioxide	(CT)	512.00
S011630/S	0-100ppm	Nitrogen Dioxide	(CT)	512.00
S011563/S	0-1ppm	Ozone	(S)	690.00
S011265/S	0-25% volume	Oxygen	(CT)	222.00

**Xgard Type 1 Spare Sensor Modules (cont.)**

	<b>Range</b>	<b>Gas Type</b>		
S011833/S	0-1ppm	Phosgene	(S)	690.00
S011698/S	0-1ppm	Phosphine	(S)	785.00
S011658/S	0-2ppm	Phosphine	(CT)	556.00
S011685/S	0-1ppm	Silane <b>Lead-time 6 weeks</b>	(S)	785.00
S011636/S	0-5ppm	Sulphur Dioxide	(CT)	476.00
S011638/S	0-10ppm	Sulphur Dioxide	(CT)	476.00
S011640/S	0-15ppm	Sulphur Dioxide	(CT)	476.00
S011644/S	0-20ppm	Sulphur Dioxide	(CT)	476.00
S011646/S	0-50ppm	Sulphur Dioxide	(CT)	476.00
S011652/S	0-100ppm	Sulphur Dioxide	(CT)	476.00
S011654/S	0-250ppm	Sulphur Dioxide	(CT)	476.00

**Xgard Type 2 Spare Sensor Modules**

	<b>Range</b>	<b>Gas Type</b>		
S011572/S	0-50ppm	Carbon Monoxide	(CT)	432.00
S011574/S	0-100ppm	Carbon Monoxide	(CT)	432.00
S011576/S	0-150ppm	Carbon Monoxide	(CT)	432.00
S011578/S	0-200ppm	Carbon Monoxide	(CT)	432.00
S011259/S	0-250ppm	Carbon Monoxide	(CT)	432.00
S011580/S	0-300ppm	Carbon Monoxide	(CT)	432.00
S011582/S	0-500ppm	Carbon Monoxide	(CT)	432.00
S011584/S	0-1000ppm	Carbon Monoxide	(CT)	432.00
S011704/S	0-200ppm	Hydrogen	(CT)	556.00
S011706/S	0-500ppm	Hydrogen	(CT)	556.00
S011562/S	0-2000ppm	Hydrogen	(CT)	556.00
S011710/S	0-2% (50%LEL)	Hydrogen	(S)	664.00
S011834/S	0-4% (100%LEL)	Hydrogen	(S)	664.00
S011604/S	0-2ppm	Hydrogen Sulphide	(CT)	432.00
S011606/S	0-5ppm	Hydrogen Sulphide	(CT)	432.00
S011608/S	0-10ppm	Hydrogen Sulphide	(CT)	432.00
S011610/S	0-20ppm	Hydrogen Sulphide	(CT)	432.00
S011257/S	0-25ppm	Hydrogen Sulphide	(CT)	432.00
S011612/S	0-30ppm	Hydrogen Sulphide	(CT)	432.00

**Fixed Price list 2007 REV 1V2**

S011614/S	0-50ppm	Hydrogen Sulphide	(CT)	432.00
S011616/S	0-100ppm	Hydrogen Sulphide	(CT)	432.00
S011618/S	0-200ppm	Hydrogen Sulphide	(CT)	432.00
S011265/S	0-25% volume	Oxygen	(CT)	222.00

**Key: (CT) = City Technology, (S) = Sensoric**

**Xgard Type 3 and 5 Spare Sensor Modules**

	<b>Range</b>	<b>Gas Type</b>	<b>Sensor Type</b>	
S011251/S	0-100%LEL	Methane/Methanol	300P	210.00
S011253/S	0-100%LEL	Pentane	300P	210.00
S012002/S	0-25%LEL	Hydrogen	300P	210.00
S011485/S	0-100%LEL	Hydrogen	300P	210.00
S011491/S	0-100%LEL	Ethanol	300P	210.00
S011500/S	0-100%LEL	Acetylene	300P	210.00
S012003/S	0-100%LEL	Acetaldehyde	300P	210.00
S011501/S	0-100%LEL	Butane	300P	210.00
S011502/S	0-100%LEL	Ethane	300P	210.00
S011503/S	0-100%LEL	Ethylene	300P	210.00
S011504/S	0-100%LEL	LPG	300P	210.00
S011505/S	0-100%LEL	Propane	300P	210.00
S011507/S	0-100%LEL	Petrol Vapour (unleaded)	300P	210.00
S011506/S	0-100%LEL	Petrol Vapour (leaded)	VQ8	357.00
S011838/S	0-100%LEL	Methane (where halogens etc. are present)	VQ25	378.00
S011840/S	0-100%LEL	Ethylene Dichloride (EDC)	VQ25	378.00
S011839/S	0-100%LEL	Vinyl Chloride Monomer (VCM)	VQ25	378.00
S011487/S	0-100%LEL	Jet Fuel	VQ41T	357.00
S011489/S	0-25%LEL	Ammonia	VQ41T	357.00
S011509/S	0-100%LEL	Methane	VQ21T	233.00
S011511/S	0-100%LEL	Pentane	VQ21T	233.00
S011513/S	0-100%LEL	Hydrogen	VQ21T	233.00
S011517/S	0-100%LEL	Ethanol	VQ21T	233.00
S011518/S	0-100%LEL	Acetylene	VQ21T	233.00
S011519/S	0-100%LEL	Butane	VQ21T	233.00
S011520/S	0-100%LEL	Ethane	VQ21T	233.00
S011521/S	0-100%LEL	Ethylene	VQ21T	233.00
S011522/S	0-100%LEL	LPG	VQ21T	233.00
S011523/S	0-100%LEL	Propane	VQ21T	233.00
S011524/S	0-100%LEL	Petrol Vapour (unleaded)	VQ21T	233.00

**Xgard Type 6 Spare Sensor Modules**

	<b>Range</b>	<b>Gas Type</b>	
S011554/S	0-25% volume in air*	Argon	367.00
S011835/S	0-25% volume in air*	Butane	367.00
S011552/S	0-100% volume in air*	Carbon Dioxide	367.00
S011526/S	0-5% volume in air*	Helium	367.00
S011528/S	0-10% volume in air*	Helium	367.00
S011532/S	0-20% volume in air*	Helium	367.00
S011546/S	0-50% volume in air*	Helium	367.00
S011530/S	0-100% volume in air*	Helium	367.00
S011540/S	0-5% volume in air	Hydrogen	367.00
S011542/S	0-10% volume in air	Hydrogen	367.00
S011544/S	0-50% volume in air	Hydrogen	367.00
S011548/S	0-20% volume in nitrogen	Hydrogen	367.00
S011550/S	0-25% volume in nitrogen	Hydrogen	367.00
S011494/S	0-30% volume in nitrogen	Hydrogen	367.00
S011534/S	0-10% volume in air*	Methane	367.00
S011536/S	0-25% volume in air*	Methane	367.00
S011538/S	0-100% volume in air*	Methane	367.00
S011841/S	0-100% volume in CO2*	Methane	367.00
S011836/S	0-25% volume in air*	Propane	367.00

\*Contact Crowcon for availability.

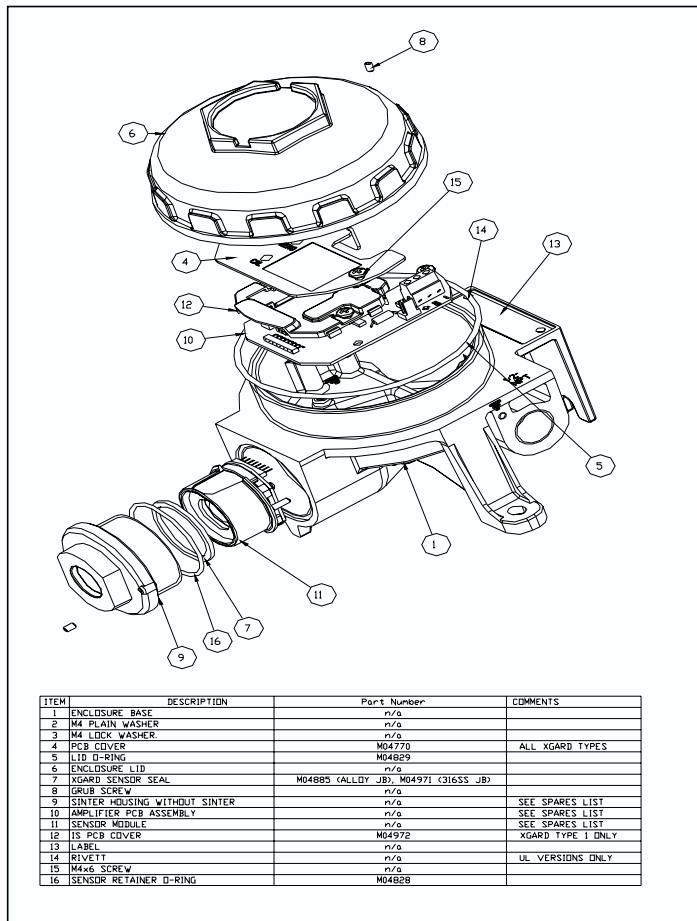
**Xsafe Spare Sensor Modules**

	Range	Gas Type	Sensor Type	
S011251/S	0-100%LEL	Methane	300P	210.00
S011505/S	0-100%LEL	Propane/LPG	300P	210.00

**Xgard and Xsafe General Spares**

M01840	Sensor retainer (aluminium) - <b>Type 1 only</b>			27.00
M01814	Sensor retainer with sinter (aluminium)* <b>Types 2,3,5,6</b>			75.00
M04885	Sensor seal (for aluminium sensor retainer)* <b>Types 1,2,3,5,6</b>			5.00
M01858	Sensor retainer (stainless steel) - <b>Type 1 only</b>			33.00
M01913	Sensor retainer with sinter (stainless steel)* <b>Types 2,3,5,6</b>			80.00
M04971	Sensor seal (for stainless steel sensor retainer)* <b>Types 1,2,3,5,6</b>			5.00
M04828	Sensor retainer O-ring* <b>Types 1,2,3,5,6</b>			4.00
M04829	Junction box lid O-ring* <b>Types 1,2,3,5,6</b>			7.00
S011238/2	Amplifier PCB for the following gas types: Carbon			629.00
S011896/2	Amplifier PCB for the following gas types: Ammonia,			529.00
S011240/2	Amplifier PCB (oxygen) - <b>Types 1 &amp; 2</b>			420.00
S011469/2	Amplifier PCB (flammable, bridge) - <b>Type 3 &amp; Xsafe mV</b>			168.00
S011242/2	Amplifier PCB (flammable, 4-20mA) - <b>Type 5 &amp; Xsafe mA</b>			497.00
S011837	Amplifier PCB (thermal conductivity, 4-20mA) - <b>Type 6</b>			497.00
M04770	PCB cover* <b>Types 1,2,3,5,6</b>			7.00
M04972	PCB cover* <b>Type 1 only, required in addition to M04770 PCB cov</b>			7.00

\* Not for Xgard Type 4. Refer to Xgard Type 4 spares section.



## Fixed Price List 2007 REV 1V2

### Detector Accessories

#### Xgard Accessories

M04666	Accessory adaptor (spare) - M20 threaded adaptor for connecting other accessories	12.00
C01051	Collector Cone - <b>includes accessory adaptor</b> For aiding	135.00
C01052	Spray deflector - <b>includes accessory adaptor</b> For outdoor	65.00
C01442	Weatherproof cap - <b>includes accessory adaptor</b> For use offshore	120.00
C01339	Flow adaptor - <b>includes accessory adaptor</b> For sampling	90.00
C03005	Calibration adaptor	17.00
C01254	Self adhesive carbon cloth filter - <b>for Xgard Types 3,</b> Removes long	30.00
S011918	Duct mounting kit - Stainless steel plate with 6mm remote	556.00
M02125	M20 to 1/2" NPTF cable gland adaptor	32.00
M02281	M20 to 3/4" NPTF cable gland adaptor	40.00
00109A	Calibration termination box (ABS box which enables gas to be	175.00
M04214	PTFE tube 6 mm OD x 1 mm wall for use with calibration termination box. <b>Price 3 meter length.</b>	70.00

#### TXgard-IS and Txgard-IS+ Accessories

C01338	Spray deflector, also remote calibration adaptor	85.00
C01340	Swivel mounting bracket	120.00
C01339	Flow adaptor, not for use with TXgard-IS H/Hi	90.00
C01341	Flow adaptor, stainless, not for use with TXgard-IS H/Hi	430.00
M01401	Ceiling mounting bracket	88.00
00027D	Stainless steel duct mounting plate - for GRP junction boxes	640.00
C03005	Calibration adaptor	17.00
C01267	Spare TXgard-IS ABS junction box (orange). Supplied as a box	100.00
M05622	Spare TXgard-IS junction box label (Toxic)	15.00
M05623	Spare TXgard-IS junction box label (Oxygen)	15.00

#### Flamgard-Plus and Txgard Plus Gas Detector Accessories (to fit 96HD)

C01052	Spray deflector with remote calibration adaptor	65.00
C01442	Weatherproof cap	120.00
C01051	Collector cone with remote calibration adaptor	135.00
C01254	Self adhesive carbon cloth filter	30.00
C01433	Detector filter assembly, small with six of each carbon filters, steel gauze filters and	88.00
C01688	Stainless steel flow adapter for 96HD	185.00
C03005	Adaptor for gas test kit	17.00

#### Cable Gland Adaptors

M02125	M20 to 1/2" NPT (for standard Xgard, Exe or Exd Crowcon junction box)	33.00
M02281	M20 to 3/4" NPT (for standard Xgard, Exe or Exd Crowcon junction box)	40.00
M02250	1/2" NPT to M20 (CSA junction with DI9)	33.00