

Xgard Toxic, Oxygen or Flammable Gas Detector Range

NOTE: Prices shown are for a standard Xgard detector housed in a universal A356 aluminium junction box with one M20 or 1/2" NPT gland entry on the right-hand side. Xgard can also be supplied in a stainless steel junction box or with larger cable gland entries. See below for pricing.



Xgard Junction Box Options

Add the following price to the standard detector price shown in the following sections.

316 Stainless steel junction box with bright unpainted finish	210.00
3/4" NPT entry on right-side	34.00

Xgard Type 1 Intrinsically Safe Toxic and Oxygen Detector

Fixed toxic and oxygen gas detector using an electrochemical sensor contained within an Xgard junction box, which also contains

A zener barrier or galvanic isolator is required for IS operation.

Gas Type	Ranges Available	
Ammonia (NH3)	0-50, 100ppm	1054.00
Ammonia (NH3)	0-250, 500, 1000ppm Lead-time 4-6 weeks	1270.00
Arsine (AsH3)	0-1ppm Lead-time 6 weeks	1239.00
Bromine (Br2)	0-3, 5ppm	1125.00
Carbon Monoxide (CO)	0-50, 100, 150, 200, 250 , 300, 400, 500, 1000	725.00
Chlorine (CL2)	0-3, 5 , 10, 20, 50, 100ppm	884.00
Chlorine Dioxide (CLO2)	0-1ppm	1138.00
Diborane (B2H6)	0-1ppm Lead-time 6 weeks	1241.00
Fluorine (F2)	0-3ppm Lead-time 4-6 weeks	1146.00
Germane (GeH4)	0-2ppm Lead-time 6 weeks	1239.00
Hydrogen (H2)	0-200, 2000 ppm	1066.00
Hydrogen (H2)	0-2%, 4% volume	1125.00
Hydrogen Cyanide (HCN)	0- 25 , 30ppm	1866.00
Hydrogen Fluoride (HF)	0-10ppm	1226.00
Hydrogen Sulphide (H2S)	0-5, 10, 20, 25 , 50, 100, 200, 250, 300, 1000ppm	726.00
Nitrogen Dioxide (NO2)	0- 10 , 30, 50, 100ppm	909.00
Ozone (O3)	0-1ppm	1087.00
Oxygen (O2)	0-25% volume	678.00
Phosgene (COCL2)	0-1ppm	1239.00
Phosphine (PH3)	0-1ppm	1192.00
Silane (SiH4)	0-1ppm Lead-time 6 weeks	1230.00
Sulphur Dioxide (SO2). No H2S filter, 0.1ppm resolution.	0- 10 , 20ppm	884.00
Sulphur Dioxide (SO2). With H2S filter, 0.5ppm resolution.	0- 10 , 20, 50, 100, 250ppm	884.00

Xgard Type 2 Flameproof Toxic and Oxygen Detector

Fixed toxic and oxygen gas detector using an electrochemical sensor contained within an Xgard junction box, which also contains

Gas Type	Ranges Available	
Carbon Monoxide (CO)	0-50, 100, 250 , 300, 500, 1000ppm	919.00
Hydrogen (H2)	0-200, 2000 ppm	1262.00
Hydrogen (H2)	0-2%, 4% volume	1316.00
Hydrogen Sulphide (H2S)	0-5, 10, 20, 25 , 50, 100, 200ppm	919.00
Oxygen (O2)	0-25% volume	875.00

Xgard Type 3 Flameproof Flammable Gas Detector

Fixed flammable gas detector using a poison resistant pellistor contained within an Xgard junction box, with **3-wire mV**

Pellistor Type	Gas Types Available	
300P	Methane, Pentane, Propane, Butane, Hydrogen, LPG,	441.00
VQ21T	Methane, Propane, Butane, LPG	489.00
VQ8	Leaded petrol vapour	696.00
VQ25	For methane detection where halogens or chlorinated	596.00
VQ41	Ammonia (0-25% LEL), Jet Fuel	596.00

Xgard (cont.)**Xgard Type 5 Flameproof Flammable Gas Detector With 4-20mA Output**Fixed flammable gas detector using a poison resistant pellistor contained within an Xgard junction box, with **3-wire 4-20mA output**. Operating temperature -40

Pellistor Type	Gas Types Available	
300P	Methane, Pentane, Propane, Butane, Hydrogen (0-25% or 0-100%)	562.00
VQ21T	Methane, Propane, Butane, LPG	617.00
VQ8	Leaded petrol vapour	928.00
VQ25	For methane detection where halogens or chlorinated hydrocarbons	928.00
VQ41	Ammonia (0-25% LEL), Jet Fuel	928.00

Xgard Type 6 Flameproof Thermal Conductivity Gas Detector

Fixed thermal conductivity gas detector contained within an Xgard junction box, with 3-wire 4-20mA output. Operating temperature +10 to +55 °C. See table at

Sensor Type	Gas Types Available	
VQ6	Hydrogen: 0-20, 25, 30 or 50% volume in Nitrogen	928.00
VQ6	Hydrogen: 0-5, 10 or 50% volume in Air	928.00
VQ6	Helium: 100% volume in Air	928.00

Note: Use TCgard for gases and ranges not listed.

Xsafe Safe Area Flammable Gas Detector

Fixed flammable gas detector using a poison resistant pellistor contained within an A356 aluminium junction box which has one

	Xsafe Type	Cable gland size	Gas Type	
C01960	4-20mA version	M20	Methane	396.00
C01961	4-20mA version	1/2" NPT	Methane	396.00
C01962	4-20mA version	M20	Propane (LPG)	396.00
C01963	4-20mA version	1/2" NPT	Propane (LPG)	396.00

Xgard Spares sensors**Xgard Type 1 Spare Sensor Modules**

	Range	Gas Type		
S011665/S	0-10ppm	Ammonia	(S)	600.00
S011667/S	0-25ppm	Ammonia	(S)	600.00
S011566/S	0-50ppm	Ammonia	(S)	600.00
S011567/S	0-100ppm	Ammonia	(S)	600.00
S011673/S	0-250ppm	Ammonia - Lead-time 4-6 weeks	(S)	760.00
S011677/S	0-500ppm	Ammonia - Lead-time 4-6 weeks	(S)	760.00
S011679/S	0-1000ppm	Ammonia - Lead-time 4-6 weeks	(S)	760.00
S011830/S	0-1ppm	Arsine - Lead-time 6 weeks	(S)	690.00
S011658/S	0-3ppm	Bromine	(S)	600.00
S011557/S	0-5ppm	Bromine	(S)	600.00
S011572/S	0-50ppm	Carbon Monoxide	(CT)	432.00
S011574/S	0-100ppm	Carbon Monoxide	(CT)	432.00
S011576/S	0-150ppm	Carbon Monoxide	(CT)	432.00
S011578/S	0-200ppm	Carbon Monoxide	(CT)	432.00
S011259/S	0-250ppm	Carbon Monoxide	(CT)	432.00
S011580/S	0-300ppm	Carbon Monoxide	(CT)	432.00
S011582/S	0-500ppm	Carbon Monoxide	(CT)	432.00
S011584/S	0-1000ppm	Carbon Monoxide	(CT)	432.00
S011588/S	0-3ppm	Chlorine	(CT)	512.00
S011263/S	0-5ppm	Chlorine	(CT)	512.00
S011590/S	0-10ppm	Chlorine	(CT)	512.00
S011592/S	0-15ppm	Chlorine	(CT)	512.00
S011594/S	0-20ppm	Chlorine	(CT)	512.00
S011596/S	0-30ppm	Chlorine	(CT)	512.00
S011598/S	0-50ppm	Chlorine	(CT)	512.00
S011600/S	0-100ppm	Chlorine	(CT)	512.00
S011690/S	0-1ppm	Chlorine Dioxide	(CT)	556.00
S011831/S	0-1ppm	Diborane Lead-time 6 weeks	(S)	770.00
S011565/S	0-3ppm	Fluorine Lead-time 4-6 weeks	(S)	621.00

Fixed Price list 2007 REV 1V2

S011832/S	0-2ppm	Germane Lead-time 6 weeks	(S)	770.00
S011704/S	0-200ppm	Hydrogen	(CT)	556.00
S011706/S	0-500ppm	Hydrogen	(CT)	556.00
S011562/S	0-2000ppm	Hydrogen	(CT)	556.00
S011710/S	0-2% (50%LEL)	Hydrogen	(S)	646.00
S011834/S	0-4% (100%LEL)	Hydrogen	(S)	646.00
S011829/S	0-25ppm	Hydrogen Cyanide	(S)	556.00
S011602/S	0-30ppm	Hydrogen Cyanide	(S)	556.00
S011564/S	0-10ppm	Hydrogen Fluoride	(S)	808.00
S011604/S	0-2ppm	Hydrogen Sulphide	(CT)	432.00
S011606/S	0-5ppm	Hydrogen Sulphide	(CT)	432.00
S011608/S	0-10ppm	Hydrogen Sulphide	(CT)	432.00
S011610/S	0-20ppm	Hydrogen Sulphide	(CT)	432.00
S011257/S	0-25ppm	Hydrogen Sulphide	(CT)	432.00
S011612/S	0-30ppm	Hydrogen Sulphide	(CT)	432.00
S011614/S	0-50ppm	Hydrogen Sulphide	(CT)	432.00
S011616/S	0-100ppm	Hydrogen Sulphide	(CT)	432.00
S011618/S	0-200ppm	Hydrogen Sulphide	(CT)	432.00
S011620/S	0-250ppm	Hydrogen Sulphide	(CT)	432.00
S011622/S	0-300ppm	Hydrogen Sulphide	(CT)	432.00
S011624/S	0-1000ppm	Hydrogen Sulphide	(CT)	432.00
S011634/S	0-5ppm	Nitrogen Dioxide	(CT)	512.00
S011561/S	0-10ppm	Nitrogen Dioxide	(CT)	512.00
S011626/S	0-30ppm	Nitrogen Dioxide	(CT)	512.00
S011628/S	0-50ppm	Nitrogen Dioxide	(CT)	512.00
S011630/S	0-100ppm	Nitrogen Dioxide	(CT)	512.00
S011563/S	0-1ppm	Ozone	(S)	690.00
S011265/S	0-25% volume	Oxygen	(CT)	222.00

Xgard Type 1 Spare Sensor Modules (cont.)

	Range	Gas Type		
S011833/S	0-1ppm	Phosgene	(S)	690.00
S011698/S	0-1ppm	Phosphine	(S)	785.00
S011658/S	0-2ppm	Phosphine	(CT)	556.00
S011685/S	0-1ppm	Silane Lead-time 6 weeks	(S)	785.00
S011636/S	0-5ppm	Sulphur Dioxide	(CT)	476.00
S011638/S	0-10ppm	Sulphur Dioxide	(CT)	476.00
S011640/S	0-15ppm	Sulphur Dioxide	(CT)	476.00
S011644/S	0-20ppm	Sulphur Dioxide	(CT)	476.00
S011646/S	0-50ppm	Sulphur Dioxide	(CT)	476.00
S011652/S	0-100ppm	Sulphur Dioxide	(CT)	476.00
S011654/S	0-250ppm	Sulphur Dioxide	(CT)	476.00

Xgard Type 2 Spare Sensor Modules

	Range	Gas Type		
S011572/S	0-50ppm	Carbon Monoxide	(CT)	432.00
S011574/S	0-100ppm	Carbon Monoxide	(CT)	432.00
S011576/S	0-150ppm	Carbon Monoxide	(CT)	432.00
S011578/S	0-200ppm	Carbon Monoxide	(CT)	432.00
S011259/S	0-250ppm	Carbon Monoxide	(CT)	432.00
S011580/S	0-300ppm	Carbon Monoxide	(CT)	432.00
S011582/S	0-500ppm	Carbon Monoxide	(CT)	432.00
S011584/S	0-1000ppm	Carbon Monoxide	(CT)	432.00
S011704/S	0-200ppm	Hydrogen	(CT)	556.00
S011706/S	0-500ppm	Hydrogen	(CT)	556.00
S011562/S	0-2000ppm	Hydrogen	(CT)	556.00
S011710/S	0-2% (50%LEL)	Hydrogen	(S)	664.00
S011834/S	0-4% (100%LEL)	Hydrogen	(S)	664.00
S011604/S	0-2ppm	Hydrogen Sulphide	(CT)	432.00
S011606/S	0-5ppm	Hydrogen Sulphide	(CT)	432.00
S011608/S	0-10ppm	Hydrogen Sulphide	(CT)	432.00
S011610/S	0-20ppm	Hydrogen Sulphide	(CT)	432.00
S011257/S	0-25ppm	Hydrogen Sulphide	(CT)	432.00
S011612/S	0-30ppm	Hydrogen Sulphide	(CT)	432.00

Fixed Price list 2007 REV 1V2

S011614/S	0-50ppm	Hydrogen Sulphide	(CT)	432.00
S011616/S	0-100ppm	Hydrogen Sulphide	(CT)	432.00
S011618/S	0-200ppm	Hydrogen Sulphide	(CT)	432.00
S011265/S	0-25% volume	Oxygen	(CT)	222.00

Key: (CT) = City Technology, (S) = Sensoric

Xgard Type 3 and 5 Spare Sensor Modules

	Range	Gas Type	Sensor Type	
S011251/S	0-100%LEL	Methane/Methanol	300P	210.00
S011253/S	0-100%LEL	Pentane	300P	210.00
S012002/S	0-25%LEL	Hydrogen	300P	210.00
S011485/S	0-100%LEL	Hydrogen	300P	210.00
S011491/S	0-100%LEL	Ethanol	300P	210.00
S011500/S	0-100%LEL	Acetylene	300P	210.00
S012003/S	0-100%LEL	Acetaldehyde	300P	210.00
S011501/S	0-100%LEL	Butane	300P	210.00
S011502/S	0-100%LEL	Ethane	300P	210.00
S011503/S	0-100%LEL	Ethylene	300P	210.00
S011504/S	0-100%LEL	LPG	300P	210.00
S011505/S	0-100%LEL	Propane	300P	210.00
S011507/S	0-100%LEL	Petrol Vapour (unleaded)	300P	210.00
S011506/S	0-100%LEL	Petrol Vapour (leaded)	VQ8	357.00
S011838/S	0-100%LEL	Methane (where halogens etc. are present)	VQ25	378.00
S011840/S	0-100%LEL	Ethylene Dichloride (EDC)	VQ25	378.00
S011839/S	0-100%LEL	Vinyl Chloride Monomer (VCM)	VQ25	378.00
S011487/S	0-100%LEL	Jet Fuel	VQ41T	357.00
S011489/S	0-25%LEL	Ammonia	VQ41T	357.00
S011509/S	0-100%LEL	Methane	VQ21T	233.00
S011511/S	0-100%LEL	Pentane	VQ21T	233.00
S011513/S	0-100%LEL	Hydrogen	VQ21T	233.00
S011517/S	0-100%LEL	Ethanol	VQ21T	233.00
S011518/S	0-100%LEL	Acetylene	VQ21T	233.00
S011519/S	0-100%LEL	Butane	VQ21T	233.00
S011520/S	0-100%LEL	Ethane	VQ21T	233.00
S011521/S	0-100%LEL	Ethylene	VQ21T	233.00
S011522/S	0-100%LEL	LPG	VQ21T	233.00
S011523/S	0-100%LEL	Propane	VQ21T	233.00
S011524/S	0-100%LEL	Petrol Vapour (unleaded)	VQ21T	233.00

Xgard Type 6 Spare Sensor Modules

	Range	Gas Type	
S011554/S	0-25% volume in air*	Argon	367.00
S011835/S	0-25% volume in air*	Butane	367.00
S011552/S	0-100% volume in air*	Carbon Dioxide	367.00
S011526/S	0-5% volume in air*	Helium	367.00
S011528/S	0-10% volume in air*	Helium	367.00
S011532/S	0-20% volume in air*	Helium	367.00
S011546/S	0-50% volume in air*	Helium	367.00
S011530/S	0-100% volume in air*	Helium	367.00
S011540/S	0-5% volume in air	Hydrogen	367.00
S011542/S	0-10% volume in air	Hydrogen	367.00
S011544/S	0-50% volume in air	Hydrogen	367.00
S011548/S	0-20% volume in nitrogen	Hydrogen	367.00
S011550/S	0-25% volume in nitrogen	Hydrogen	367.00
S011494/S	0-30% volume in nitrogen	Hydrogen	367.00
S011534/S	0-10% volume in air*	Methane	367.00
S011536/S	0-25% volume in air*	Methane	367.00
S011538/S	0-100% volume in air*	Methane	367.00
S011841/S	0-100% volume in CO2*	Methane	367.00
S011836/S	0-25% volume in air*	Propane	367.00

*Contact Crowcon for availability.

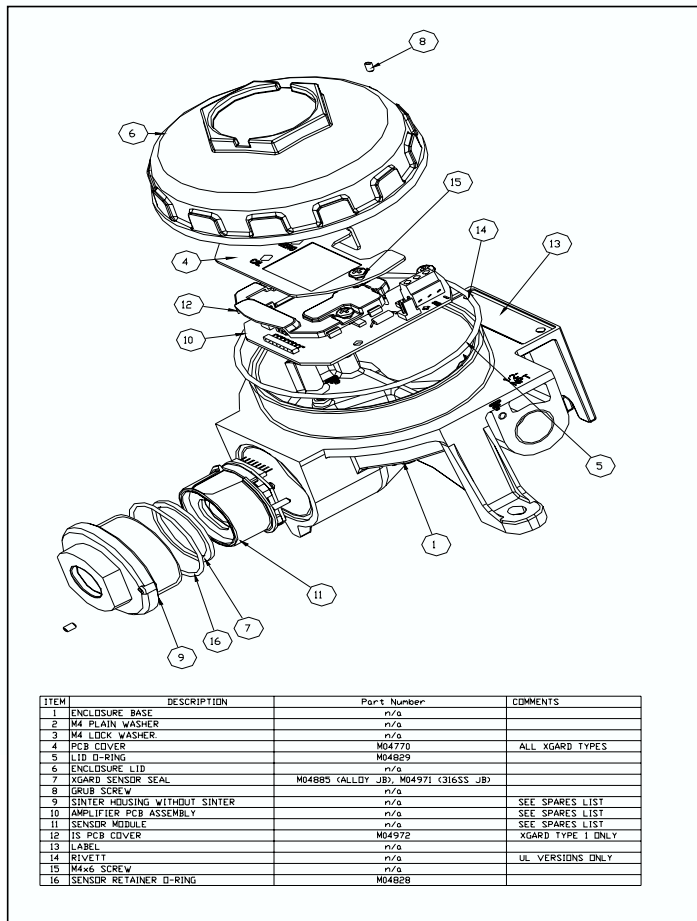
Xsafe Spare Sensor Modules

	Range	Gas Type	Sensor Type	
S011251/S	0-100%LEL	Methane	300P	210.00
S011505/S	0-100%LEL	Propane/LPG	300P	210.00

Xgard and Xsafe General Spares

M01840	Sensor retainer (aluminium) - Type 1 only			27.00
M01814	Sensor retainer with sinter (aluminium)* Types 2,3,5,6			75.00
M04885	Sensor seal (for aluminium sensor retainer)* Types 1,2,3,5,6			5.00
M01858	Sensor retainer (stainless steel) - Type 1 only			33.00
M01913	Sensor retainer with sinter (stainless steel)* Types 2,3,5,6			80.00
M04971	Sensor seal (for stainless steel sensor retainer)* Types 1,2,3,5,6			5.00
M04828	Sensor retainer O-ring* Types 1,2,3,5,6			4.00
M04829	Junction box lid O-ring* Types 1,2,3,5,6			7.00
S011238/2	Amplifier PCB for the following gas types: Carbon			629.00
S011896/2	Amplifier PCB for the following gas types: Ammonia,			529.00
S011240/2	Amplifier PCB (oxygen) - Types 1 & 2			420.00
S011469/2	Amplifier PCB (flammable, bridge) - Type 3 & Xsafe mV			168.00
S011242/2	Amplifier PCB (flammable, 4-20mA) - Type 5 & Xsafe mA			497.00
S011837	Amplifier PCB (thermal conductivity, 4-20mA) - Type 6			497.00
M04770	PCB cover* Types 1,2,3,5,6			7.00
M04972	PCB cover* Type 1 only, required in addition to M04770 PCB cov			7.00

* Not for Xgard Type 4. Refer to Xgard Type 4 spares section.



Fixed Price List 2007 REV 1V2

Detector Accessories

Xgard Accessories

M04666	Accessory adaptor (spare) - M20 threaded adaptor for connecting other accessories	12.00
C01051	Collector Cone - includes accessory adaptor For aiding	135.00
C01052	Spray deflector - includes accessory adaptor For outdoor	65.00
C01442	Weatherproof cap - includes accessory adaptor For use offshore	120.00
C01339	Flow adaptor - includes accessory adaptor For sampling	90.00
C03005	Calibration adaptor	17.00
C01254	Self adhesive carbon cloth filter - for Xgard Types 3, Removes long	30.00
S011918	Duct mounting kit - Stainless steel plate with 6mm remote	556.00
M02125	M20 to 1/2" NPTF cable gland adaptor	32.00
M02281	M20 to 3/4" NPTF cable gland adaptor	40.00
00109A	Calibration termination box (ABS box which enables gas to be	175.00
M04214	PTFE tube 6 mm OD x 1 mm wall for use with calibration termination box. Price 3 meter length.	70.00

TXgard-IS and Txgard-IS+ Accessories

C01338	Spray deflector, also remote calibration adaptor	85.00
C01340	Swivel mounting bracket	120.00
C01339	Flow adaptor, not for use with TXgard-IS H/Hi	90.00
C01341	Flow adaptor, stainless, not for use with TXgard-IS H/Hi	430.00
M01401	Ceiling mounting bracket	88.00
00027D	Stainless steel duct mounting plate - for GRP junction boxes	640.00
C03005	Calibration adaptor	17.00
C01267	Spare TXgard-IS ABS junction box (orange). Supplied as a box	100.00
M05622	Spare TXgard-IS junction box label (Toxic)	15.00
M05623	Spare TXgard-IS junction box label (Oxygen)	15.00

Flamgard-Plus and Txgard Plus Gas Detector Accessories (to fit 96HD)

C01052	Spray deflector with remote calibration adaptor	65.00
C01442	Weatherproof cap	120.00
C01051	Collector cone with remote calibration adaptor	135.00
C01254	Self adhesive carbon cloth filter	30.00
C01433	Detector filter assembly, small with six of each carbon filters, steel gauze filters and	88.00
C01688	Stainless steel flow adapter for 96HD	185.00
C03005	Adaptor for gas test kit	17.00

Cable Gland Adaptors

M02125	M20 to 1/2" NPT (for standard Xgard, Exe or Exd Crowcon junction box)	33.00
M02281	M20 to 3/4" NPT (for standard Xgard, Exe or Exd Crowcon junction box)	40.00
M02250	1/2" NPT to M20 (CSA junction with DI9)	33.00